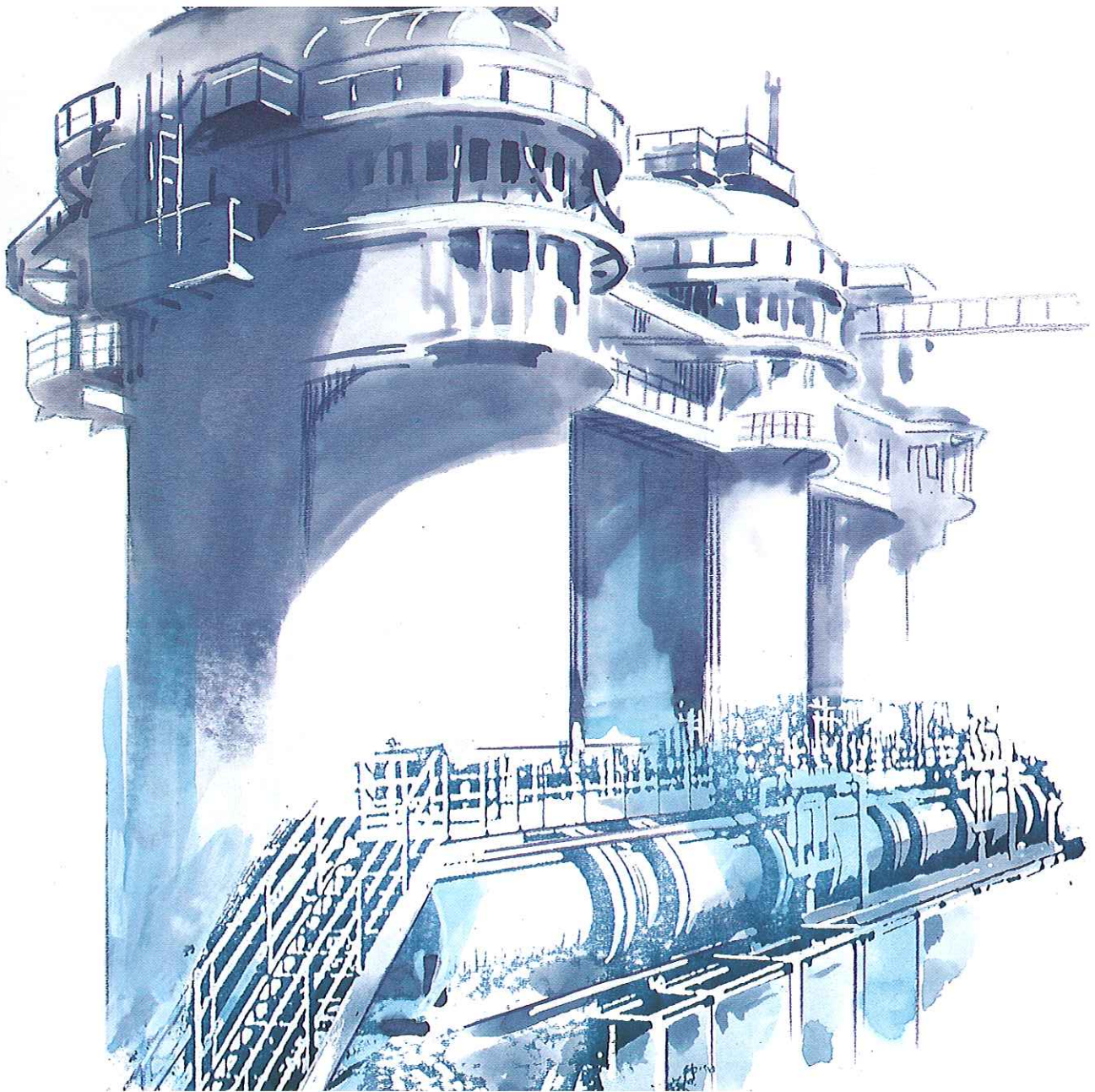


Valves for the iron and steel making industry and coke oven plants



Valves for the iron and steel making industry and coke oven plants

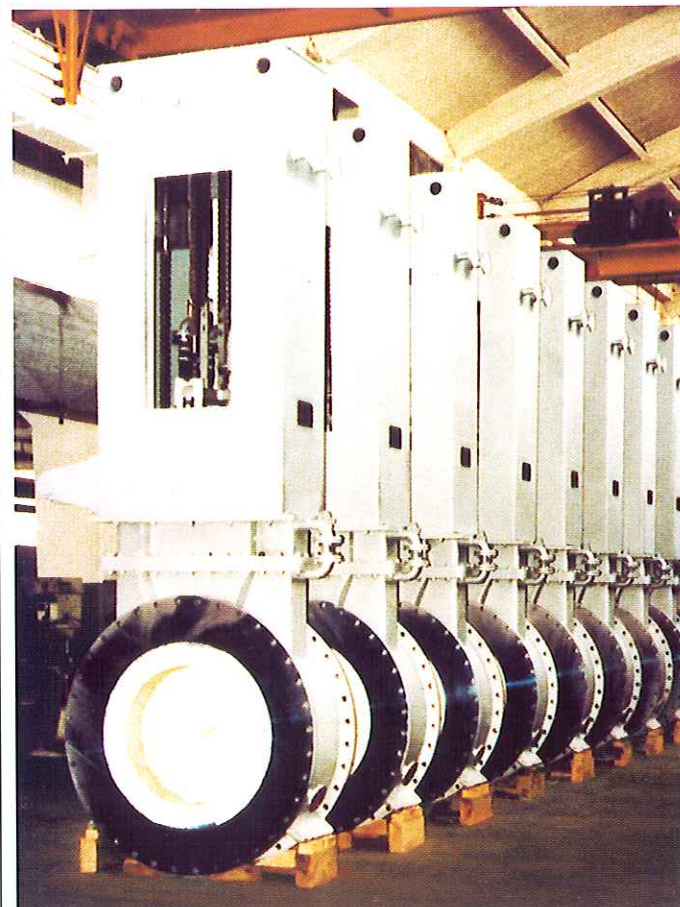
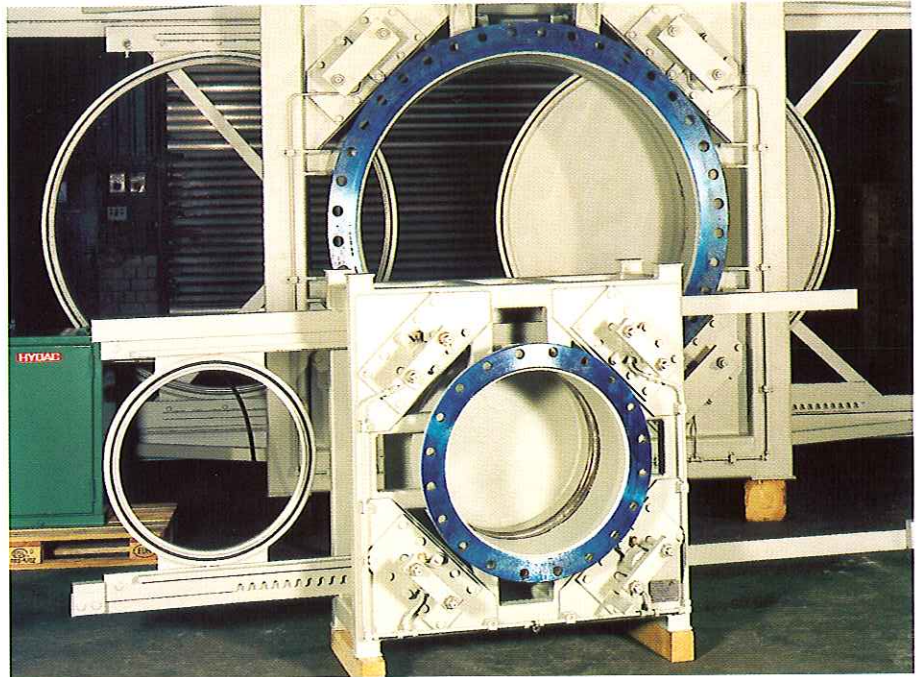
Goggle Valves

Steel welded execution with flanges according to DIN and international norms.

Nominal diameters DN 400 up to DN 4000

Nominal pressures up to PN 4

- with a variety of applications in gaseous media
- UVV-corresponding closing of accessible gas pipelines
- for raw and clean gases
- mechanical and hydraulical locking and releasing system
- open and enclosed design
- with a variety of installation positions and drive options



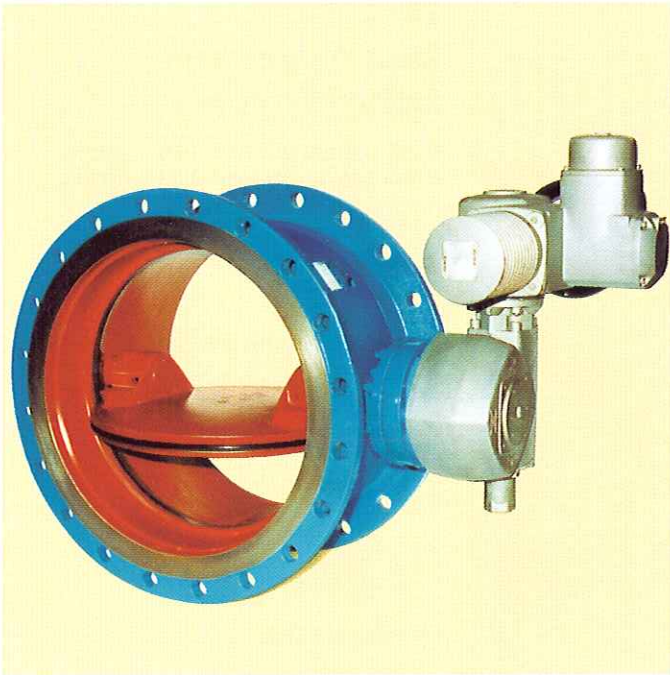
Hot blast valves

Steel welded execution with flanges according to DIN and international norms.

Nominal diameters up to DN 2400

Nominal pressures up to PN 6

- for highest hot blast temperatures
- in completely water cooled version of body and valve plate or
- in execution, that is to say, a minimum loss of heat over the cooling water
- highly stressed valve components seamless forged for a long life
- with a variety of drive options



FRIASEAL[®] - Butterfly Valve

Made of cast iron or steel welded. Soft sealing for liquids up to 100° C and gases up to 150° C.

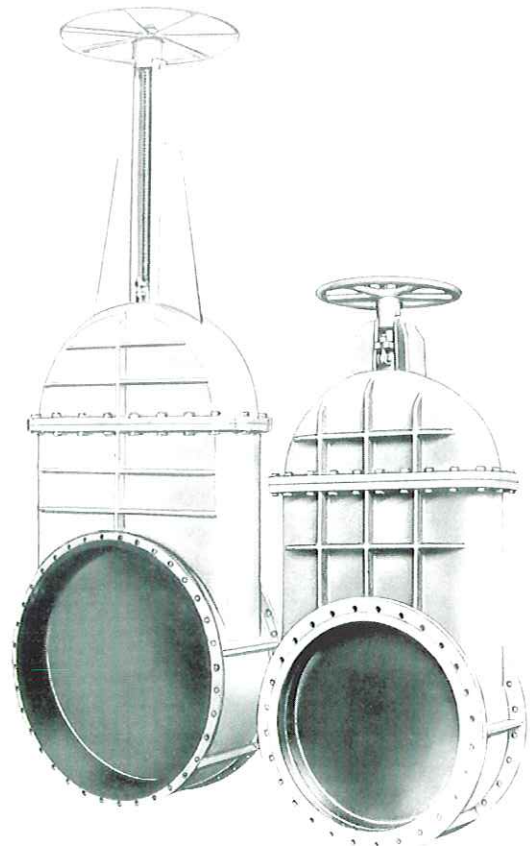
- flange execution according to DIN and international norms
- nominal diameters up to DN 3400
- nominal pressures PN 2,5 up to PN 40
- installation in every positions
- tight closing in both flow directions
- various drive options by modular system
- corrosion protection: epoxy resin-powder coated, inside enamelling, rubber lined, 2 component epoxy coated
- special corrosion protection on customers request

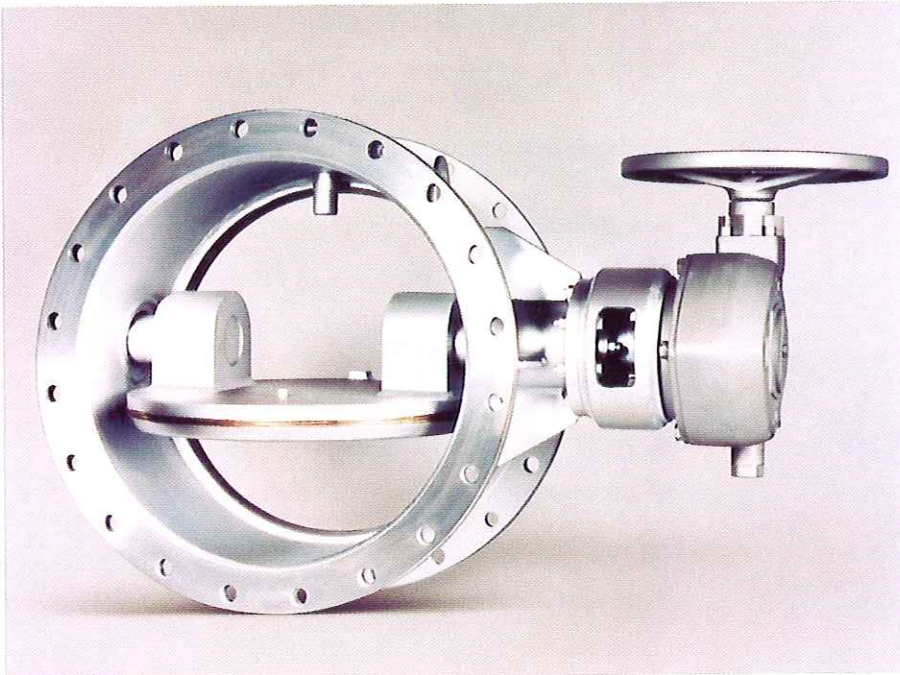
Wedge Gate Valves

Steel welded execution with flanges according to DIN and international norms.

Nominal diameters up to DN 3200
Nominal pressures up to PN 6

- various applications for gaseous and liquid media
- vacuum tight execution for steel degassing
- in a simple robust construction
- special sealing seat designs
- reliable sealing for a long life
- installation in every positions
- various drive options





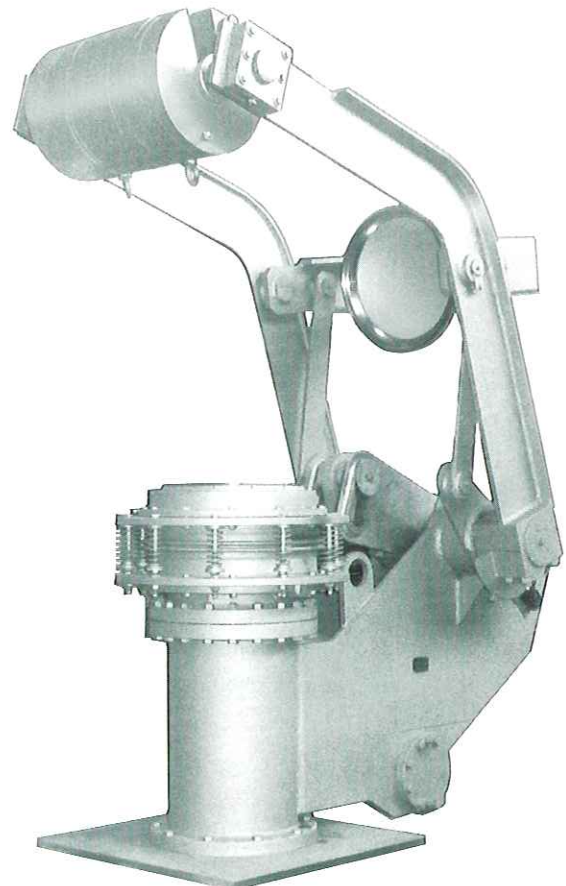
**FRIASEAL® -
Double eccentric
butterfly valve**

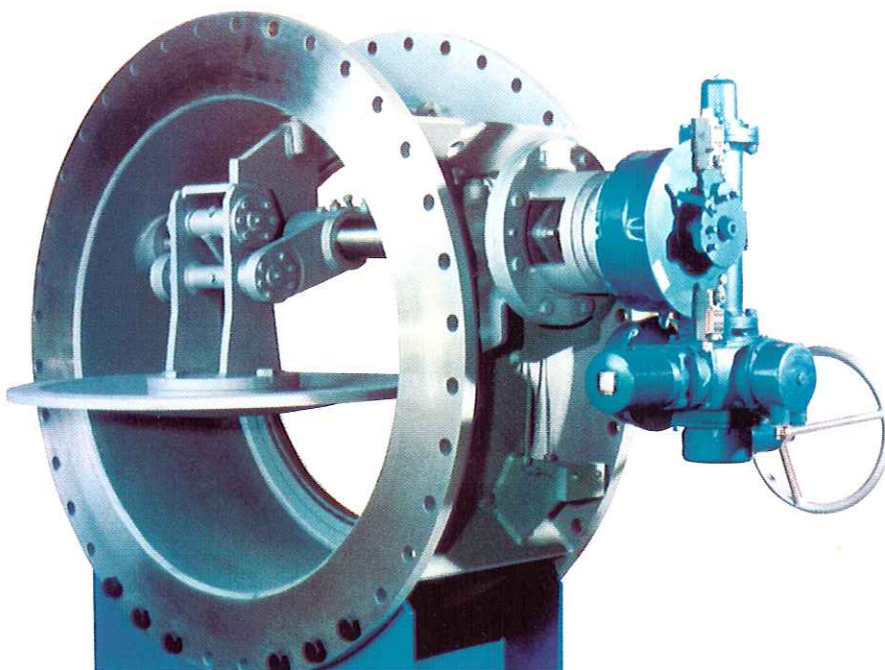
Steel welded execution with flanges according to DIN and international norms.

- for gaseous and vapour media up to 650° C
- nominal diameters up to DN 400
- pressure rates PN 1 up to PN 6
- installation in every positions
- tight closing
- various drive options by modular system
- special corrosion protection on customers request

Also in our delivery program:

- Bleeder Valves (weight loaded)
- Explosion Valves (spring- and weight loaded)
- Cowper burners in steel version with ignition device and flame controller
- Snort Valve for cold wind discharge
- Septum Valve as pressure reducing station
- Schmidt'sche spectacles
- Throttle Valves
- RHEFLA-Flat Plate Gate Valves



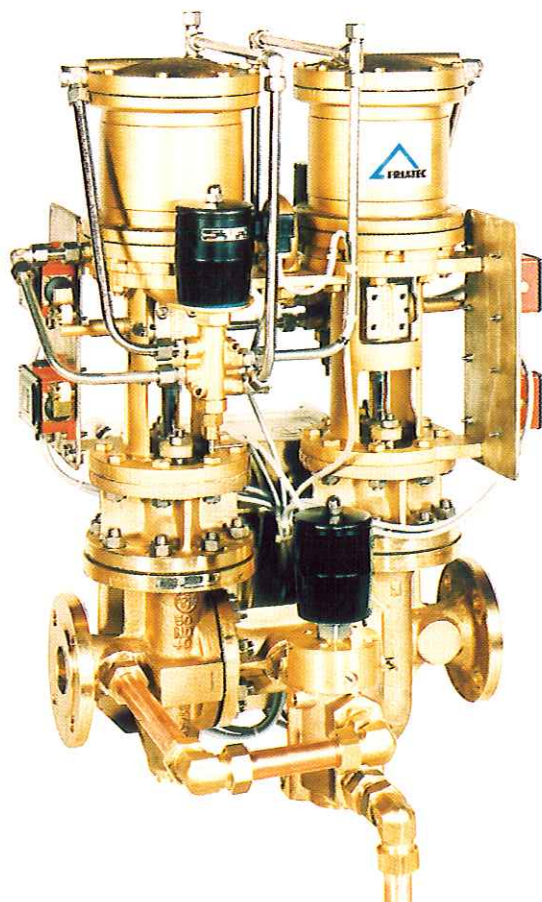


FRIASEAL® - Three Lever Valves

Steel welded execution with flanges according to DIN and international norms.

Nominal diameters up to DN 3000
Nominal pressures PN 1 up to PN 40

- with a variety of applications in gaseous media
- functional safe mechanic
- process orientated seat designs guarantee the highest degree of sealing
- wear free lifting resp. pressing between valve disc and body sealing
- tightened bearing points
- installation in every positions
- with a variety of drive options

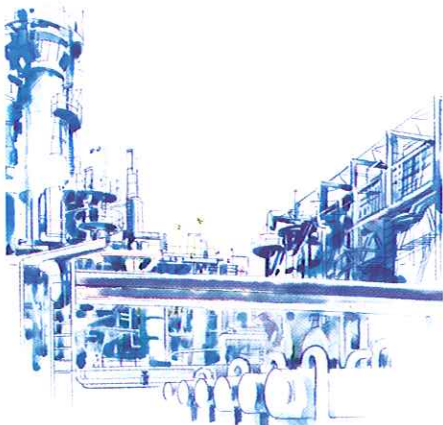


RHEFLA- Flat Plate Gate Valves

We offer a wide range of flat plate gate valves for shut-off functions in the oxygen service field.

RHEFLA- and RHEFLA II-Valves in various executions, pressure rates and nominal diameters.

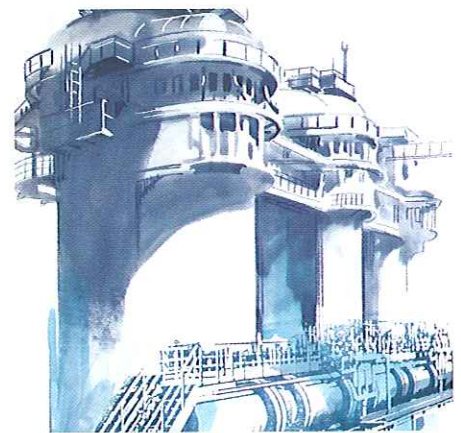
**Additional areas of activity:
Shut-off valves for...**



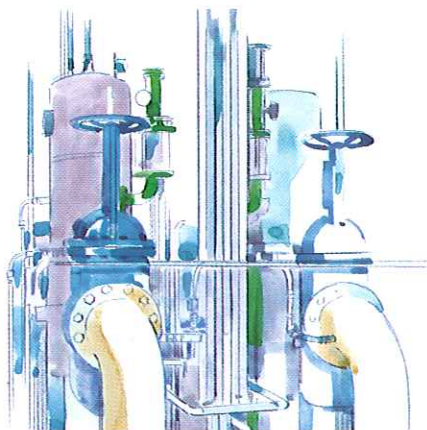
...Chemical Industry



...Power Stations



...Smelting Plants



...Gas Supply

The Valve Division of the FRIATEC-Group originated from Messrs Th. Jansen Armaturen & Maschinenfabrik as well as the Valves of Messrs Rheinhütte GmbH & Co. and has been specializing for decades in heavy duty and special valves.

Problem solutions for specific application are acquired in close co-operation with the customer. This results in the development of process oriented special valve designs and manufacturing technologies.

The Valve Division offers specific shut-off systems for the chemical industry, power stations, smelting plants, gas supply and water management.

Further strengths and know-how are the application of high-grade corrosion and heat-resistant materials in fabricated and cast technology.



...Water Management



Zertifikat-Reg. Nr.
71 100 6 064
For FRIATEC AG
Valve Division